



Top Features

- IP65 for the most demanding environments
- 40W of balanced, direct-diode RGB power
- Full RGB 1,000+ colors to match and blend perfectly with traditional moving head fixtures
- X-Laser's Mercury control firmware integrated for direct lighting console control using common protocols such as sACN, Art-Net, etc.
- Instant "gobo"/digital pattern changes and rapid 30K scanners for smooth pattern motion
- 0.1° to 45° zoom range
- X-Laser's no-hassle 2-year warranty

Ready to empower world-class effects and deliver unrivaled experiences, the **Triton T-40** from **X-Laser** is quite simply the manufacturer's best and brightest yet. Engineered with IP65 durability for outdoor weather resistance, this fixture has already been tested and proven in some of the production world's toughest environments. X-Laser overbuilt the Triton T-40 to withstand whatever challenges the world's top production designers can throw its way.

The **Triton T-40** features full RGB direct-injection laser diode modules, tuned for ideal balance to color mix on par with—or better than—today's top-brand "traditional" fixtures. Creating looks with rich berry, vivid orange or intense lime colors is no problem for Triton. Designers also benefit from the creative power and flexibility of X-Laser's Mercury Laser Control System, which enables programming directly from the lighting console using the same show file and common signal protocols such as sACN and Art-Net configuration capability. For even more creative flexibility, the **Triton T-40** can be specified for audience scanning and offers the option of legacy laser control firmware integrated, too.

The **Triton T-40** empowers designers to give their shows laser-specific creative advantages such as an impressive zoom range of 0.1° to 45° plus instantaneous zoom and digital "gobo" changes, making it an awesomely punchy complementary effect fixture for all sorts of venues and genres. And because the show must go on, the **Triton T-40**'s easy-to-understand live diagnostic 2.25" LCD readout and easy-access service "hood" save techs valuable time should the need to troubleshoot on the road ever arise.

Each **Triton T-40** fixture weighs 50lbs, which is impressive for its power and robustness. This laser ships individually in a standard plastic Pelican-style road case, and even when encased, it's light and compact enough to be a checked bag.

Satisfy stagehands, delight designers and amaze audiences with the **Triton T-40**.

TRITON T-40**INFO & SPECIFICATIONS****SOURCE**

40W Balanced RGB Laser Engine
Direct-Injection Diode Modules

Red: 638 nm
Green: 520 nm
Blue: 450 nm

11W red, 14W green, 16W blue

PHOTOMETRICS / OPTICS

High-Speed Closed-Loop Galvanometers,
Max Scan Angle 45°
30,000 PPS Scanner Speed at 8° Scan Angle

Beam Divergence: <1.4 mRad

Fully Sealed Optical Deck

ELECTRICAL / THERMAL

90-246V AC Auto-Switching
Power draw: 950W peak
Neutrik PowerCON TRUE1

0° F to 105° F (-17° C to 41° C)

OTHER

FDA / IEC Hazard Class IV
U.S. FDA Variance Required

CONTROL AND INTERFACE

X-Laser Mercury Integrated, 2.25" LCD panel
Fixture profiles for all major console brands

EtherStop Combined Remote Stop
and Control Data in / thru

PowerCON TRUE1 in / thru

RJ45 in / out (sACN, etc.)

COLOR AND EFFECTS

Additive RGB Analog Color Mixing
1,000+ Colors
50 Color Macros
11 Digital Prisms
450+ "Gobos" / Digital Patterns Built-In
60 Motion Macros with variable speed and
amplitude

DIMENSIONS / PHYSICAL / MATERIALS

16.7" L x 12.0" W x 8.0" H (13.0" H w/ yoke up)
(424 mm x 305 mm x 203 mm; 330mm yoke up)

Weight: 50 lbs (22.7 kg)

Rugged 6061 Aluminum Enclosure

IP Rating: IP65

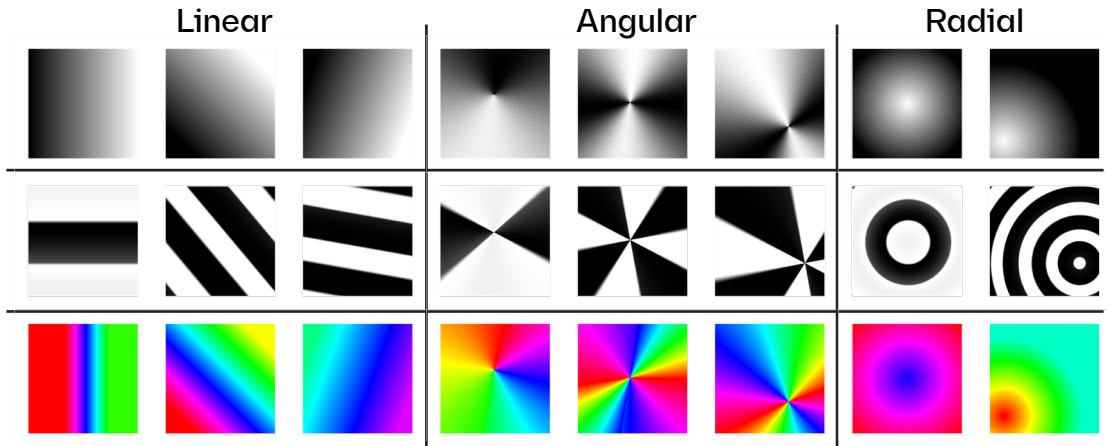
TRITON T-40

MERCURY FEATURES

COLOR CONTROL USING MERCURY

Gradients

Fade from one RGB color to another, fade distance and offset are controllable



Bands

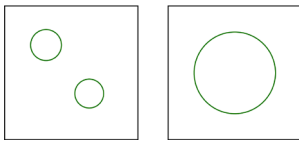
Alternate between 2 RGB colors, band sizes and transitions are controllable

Rainbows

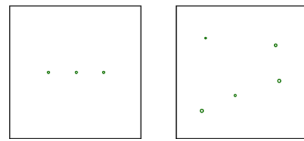
Transition between 2 HSL colors through color wheel; transition offset, size and direction are controllable

BUILT-IN MERCURY PATTERNS (“GOBOS”)

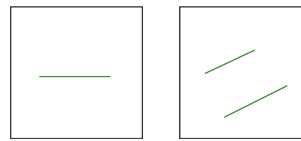
Circles



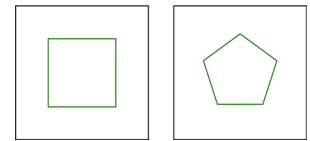
Beams



Fans



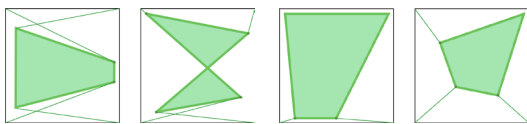
Polygons



...and dozens more

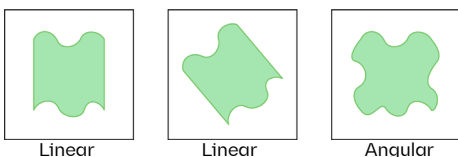
ZONING AND ZONE CORRECTION USING MERCURY

Facilities keystone, skew, offset, inversion and much more using 4 intuitive control points



“GOBO” TRANSFORMATIONS AND EFFECTS USING MERCURY

Wave Modulation

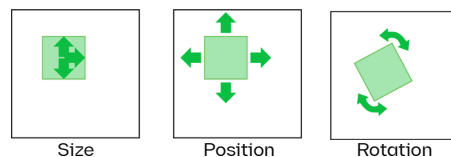


Linear

Linear

Angular

Geometric

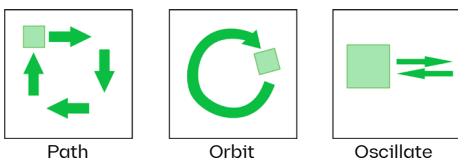


Size

Position

Rotation

Motion

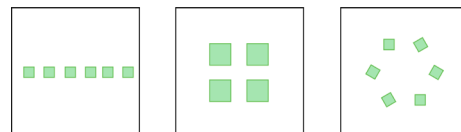


Path

Orbit

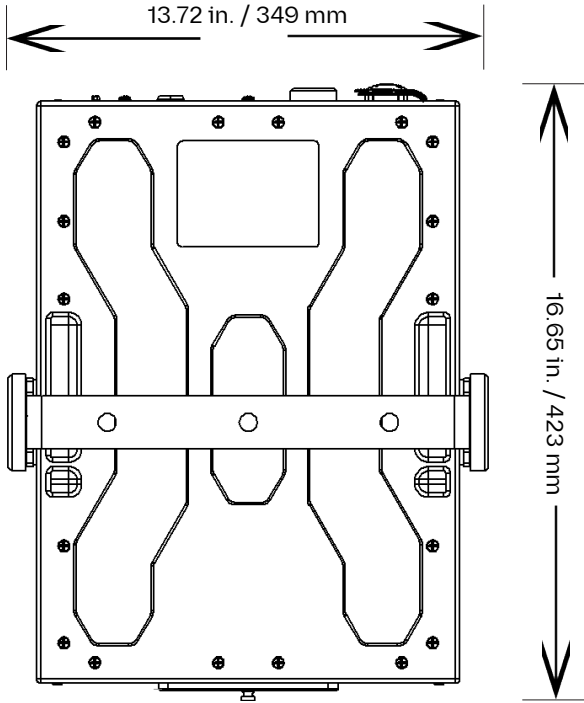
Oscillate

Prism

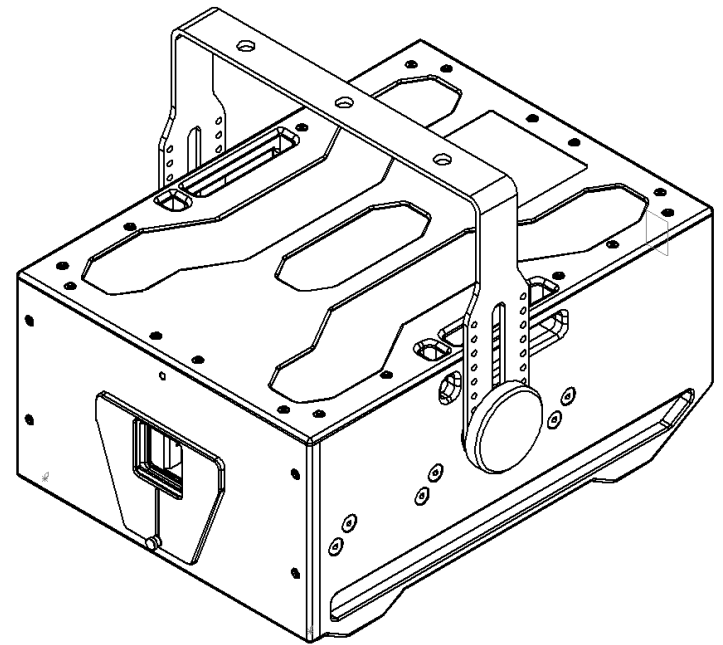


TRITON T-40

UNIT DIMENSIONS

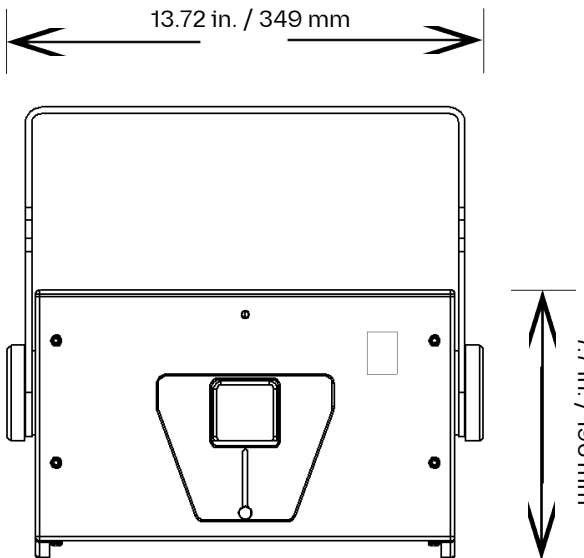


Top/Overhead

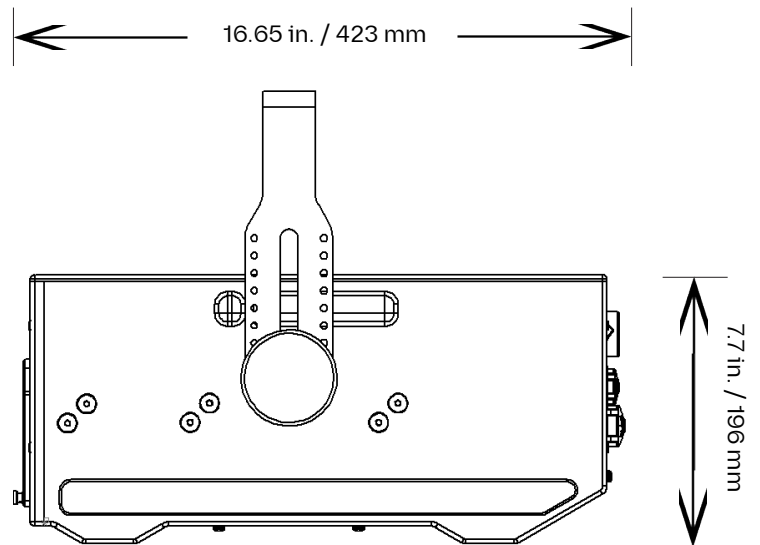


Front 3/4

Not to scale



Front



Side